



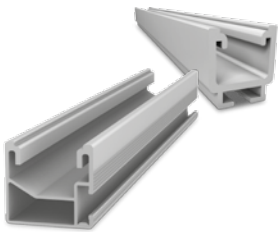
Triangle/MultiAngle System 10-45°



- ▶ Individually customisable elevation angle
- ▶ Universal module orientation
- ▶ High flexibility and customised solutions

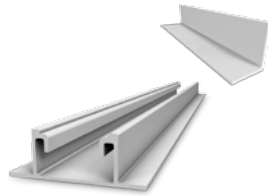


TRIANGLE / MULTIANGLE SYSTEM COMPONENTS



Mounting rails

- ▶ Triangle: SolidRail
- ▶ MultiAngle: SingleRail



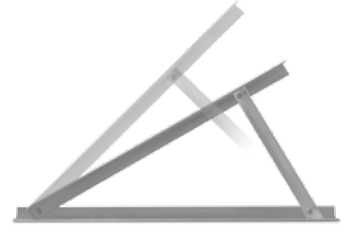
Base assembly

- ▶ Triangle: L-Profile
- ▶ MultiAngle: SpeedRail or L-Profile



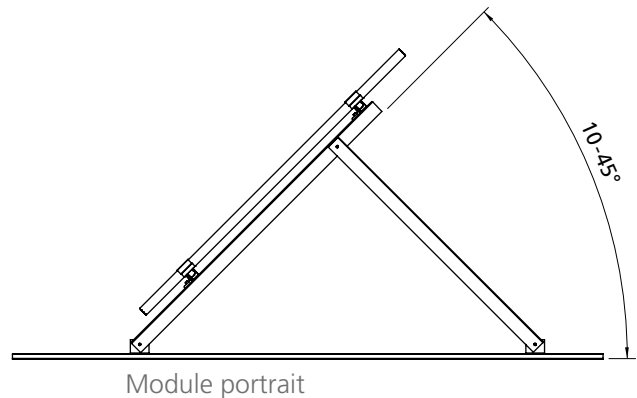
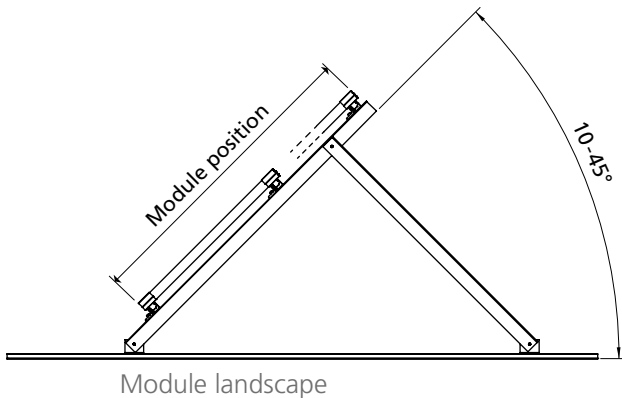
Module orientation

- ▶ Triangle: Landscape mounting with AddOn
- ▶ MultiAngle: Portrait mounting, 2 heights for landscape mounting (clamps at corners or with AddOn)



Elevation

- ▶ Triangle: Available with 10-45°
- ▶ MultiAngle: Individually customisable, 10-45°



TECHNICAL DATA

	Triangle / MultiAngle
Scope of application	Flat roofs, fields, or ground
Fastening type/roof fixture	Fastening or ballasting
Technical specifications	Thermal separation after max. 24.4 m
Inclination angle	10-45°, factory-default, or individually adjustable with MultiAngle
Material	<ul style="list-style-type: none"> ▶ Mounting rails, module clamps: Aluminium (EN AW-6063 T66/EN AW-6082 T6) ▶ Also suitable for PE plates ▶ Small parts: Stainless steel (1.4301) A2